

The Megaphonix In-Room are designed specifically for in room use in dedicated home cinemas. Using high power handling and high sensitivity drivers, these speakers will deliver all the impact and dynamics you need for a real home cinema experience, without the need for a big wattage power amplifier.

The 255mm bass driver has a 50mm voice coil and has been developed to offer low harmonic distortion, especially in the critical midband. The paper cone and surround of the bass driver have been developed to provide the smoothest possible response. The high frequency drive unit is a specially-damped, high power, 26mm doped fabric dome tweeter, and is coupled with Krix's proprietary waveguide to provide consistently-maintained optimum dispersion of 90 degrees horizontal and 40 degrees vertical over the entire working bandwidth.

The combined high frequency response of the Megaphonix In-Room provides an exceptionally smooth and well-controlled sound – a new benchmark in loudspeaker reproduction.

The enclosure is braced and critically damped, with proprietary Krix rubber feet to improve acoustic isolation on hard or soft surfaces.

The Megaphonix In-Room is the in room member of a five-speaker family, allowing you to combine it with main or surround speakers for a connected, clear and smooth sound experience.

For the ultimate cinema experience at home, play it through Krix.

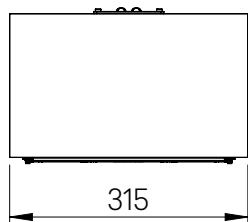


## FEATURES

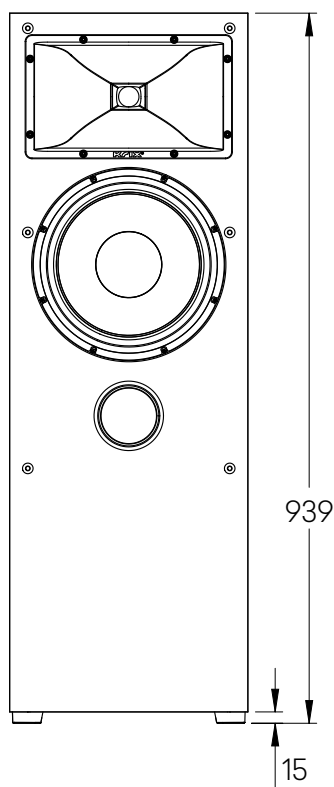
- Impact and dynamics for a real home cinema experience
- High sensitivity, very low distortion
- Precise pattern control

Megaphonix In-Room	
Frequency Range	40Hz - 20kHz (in room response)
Power Handling	50 - 250 Watts RMS recommended amplifier power
Sensitivity	95 dB (2.83V / 1m)
Impedance	8 OhmS
Configuration	2-Way
Crossover point	1.8 kHz
Low Frequency Driver	Single 255mm (10") paper cone driver. 50mm (2") voice coil wound on high powered kapton former, with ventilated magnet assembly and copper shorting ring for low distortion
High Frequency Driver	26mm (1") doped fabric dome with large roll surround. Ferro fluid cooled. Coupled to a Krix designed 90 x 40 short throw waveguide
Enclosure Type	Bass reflex, front vented
Input Terminals	High current terminals featuring 5mm hole to accept up to 10 AWG cable
Dimensions	939mm high x 315mm wide x 205mm deep
Net Weight	19 kg

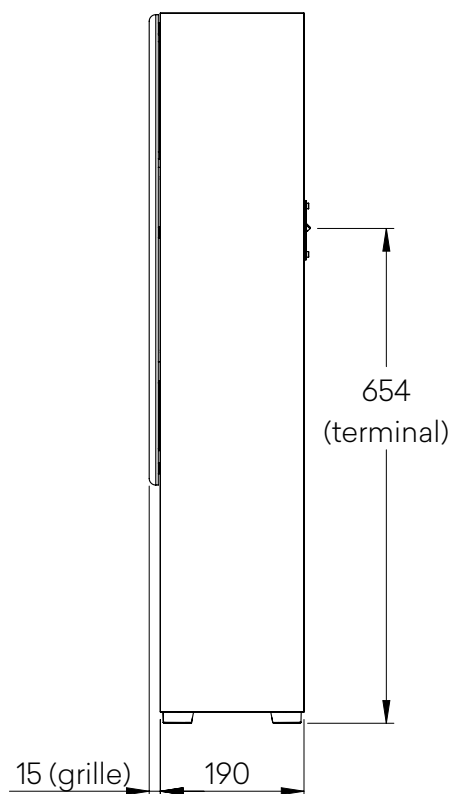
## DETAILED DIMENSIONS



TOP



FRONT



SIDE

