

## stratospherix concealed audio

- in-ceiling speaker
- suitable for indoor and outdoor use
- weatherproof design
- high power commercial grade driver

The Stratospherix is a high quality in-ceiling loudspeaker featuring a semi-enclosed back-box.

It employs a large 200mm (8") bass driver with concentric professional grade compression tweeter, for high power handling and sensitivity. The dual concentric driver configuration guarantees uniform sound coverage in all directions.

The bass driver features a weather proof polypropylene cone, whilst the compression tweeter is protected by an acoustically transparent dust cap. To ensure reliable performance both indoors and outdoors, the grille is corrosion resistant aluminium and all other hardware is stainless steel.

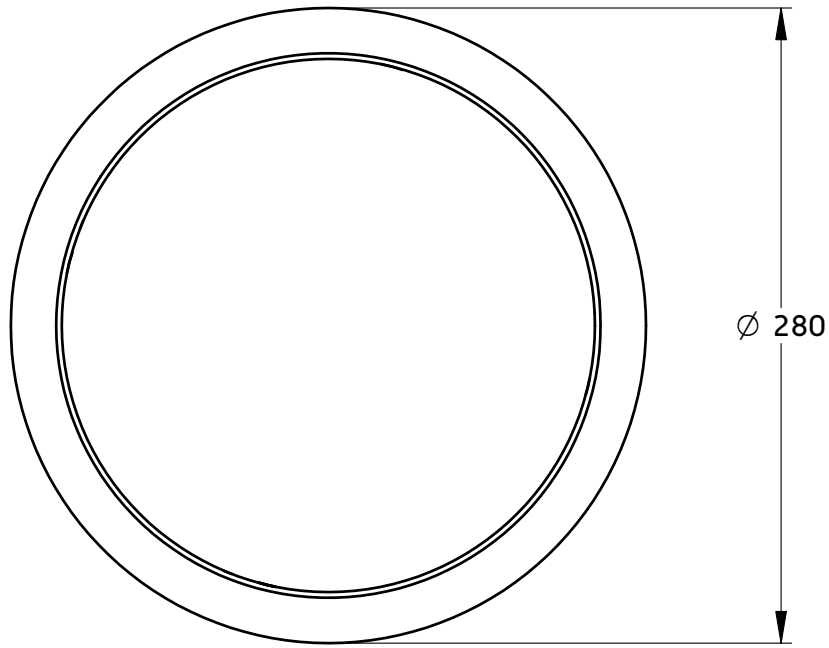
The weather-proof design of the Stratospherix, combined with high power handling, sensitivity and extended bass performance make it ideally suited to outdoor in-ceiling applications. For example, it can be used in undercover alfresco dining areas, courtyards or near a swimming pool.

The Stratospherix may also be used for indoor applications requiring high volumes levels, for example larger concealed home cinemas as side and rear surrounds in a conventional 5.1 or 7.1 configuration, or as ceiling effect speakers in a Dolby® Atmos™ setup.

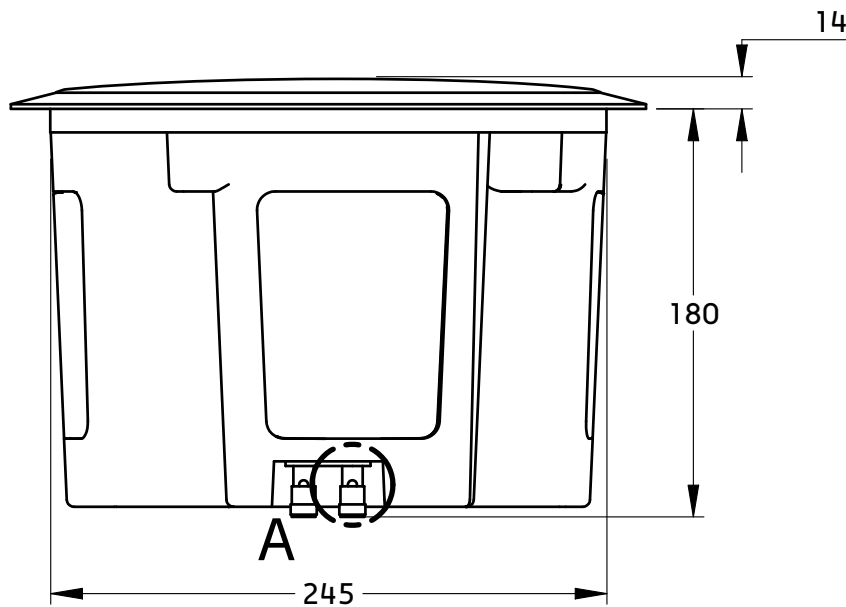


### specifications stratospherix

Frequency Range	40Hz - 20kHz (in room response)
Power Handling	20 - 200 Watts RMS recommended amplifier power
Sensitivity	93dB SPL - 2.83V at 1m
Impedance	Nominal 6 Ohms (Minimum 5.3 Ohms)
Configuration	Dual concentric 2-way
Bass Driver	Cast aluminium basket, 200mm (8") curvilinear polypropylene driver, 38mm (1½") voice coil wound on high temperature kapton former
High Frequency Driver	45mm (1¾") high sensitivity mylar dome compression driver firing through the bass driver pole piece
Enclosure Type	Acoustically treated infinite baffle
Weather Resistance	Dust and splash resistant, IP54 rated
Dimensions	280mm diameter x 180mm mounting depth
Cutout Diameter	247mm recommended
Weight	5kg



top view



side view

$\varnothing 4.5$   
maximum wire gauge 10AWG

