

SERIES

MX

KRUX
EXPERIENCE SOUND



COMMERCIAL CINEMA PERFORMANCE

Feel the rumble of stampeding horses, the shriek from a wailing banshee, the scuff of footsteps on weathered floorboards – for a truly immersive sound experience that can only come from a lifetime in cinema, it's got to be Krix.

Supplying national and international cinema multiplexes for over 35 years, Krix are world renowned for high quality, high performance speaker systems. Decades of in-house research and design incorporating constant directivity horn technology, have produced precision coverage and extremely uniform frequency response, allowing every seat in the cinema to experience improvements in clarity and definition.

Scaling this technology impeccably to the home environment, Krix's dedicated home cinema speakers provide a vast, immersive sound with optimum dispersion, vocal intelligibility and responsive bass – ensuring every movie soundtrack is delivered with control, clarity and effortless power.

KRIX INFINITE BAFFLE WALL

Krix first started installing speaker systems in commercial cinemas in the early 1980's. The Krix engineering team pioneered the "Krix Infinite Baffle System" in the Capri cinema in Adelaide, which has since been utilised in thousands of commercial cinemas worldwide. The concept provides a solid wall or half space that is continuous with the speaker baffles. This alleviates any sound leakage into the space behind the screen, which can affect sound clarity by mixing reflected sound with direct sound from the loudspeakers.

To support this concept, the front baffle of each Series MX module is covered with an acoustic absorbent material to absorb any sound reflecting off the back of the screen or the room itself. This assists greatly with the acoustic treatment of the room to ensure better intelligibility and overall sound performance.

REAL CINEMA AT HOME

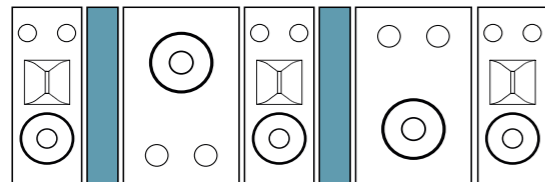
The object of a home cinema is to reproduce the experience of going to the movies, but in the convenience of your own home. Krix speaker systems have been installed in over 3500 commercial cinemas worldwide and Krix are now bringing the cinema experience closer with the release of these uniquely designed modular screen speaker systems.

Completely surround yourself in the immersive audio formats found on the latest movies by adding Krix surround and overhead speakers, all sonically matched across the range.

ABSORPTION SPACER MODULES

Series MX modular systems are expandable beyond a minimum width with the use of low frequency absorption spacer modules. These allow larger screen sizes to be used by spacing out the left and right screen channels to increase the soundstage, completely filling the screen with sound.

The spacer modules are narrow enclosures filled with acoustic absorption material and covered with the same acoustic absorbent panels as the screen speakers, perfectly maintaining the infinite baffle.





FOR EVERY ROOM SIZE AND BUDGET

With five different models in the Series MX range, there's a model for every room, screen size and budget. Paired with the absorption spacer panels, it allows a much greater choice in screen sizes and means you're not locked to one specific system.

The Series MX modules have also been designed to take up minimal depth in the room. Ranging from 190mm to 335mm deep, these shallow yet high performance systems will save valuable space in your home cinema.

CONTROL AND DEFINITION

Proprietary horn and waveguide designs have been developed by Krix over a 25 year period using powerful Finite Element Analysis (FEA). This Krix patented horn technology provides exceptionally flat frequency response, precise pattern control and incredibly low distortion. Seamlessly coupled with the dispersion pattern of the woofer, the sound is focused on the audience and away from the walls, resulting in reduced reflections which can muddy the sound.

The specially engineered bass drivers are professional low frequency loudspeakers and offer superb bass performance, high peak program power handling and high efficiency, capable of extreme sound pressure levels. The smooth response, wide frequency and dynamic range are features not often achieved in one woofer. The bass drivers have an oversized ferrite magnet structure with components engineered to achieve maximum efficiency. Symmetrical gap geometry combined with the large linear voice coil travel ensures minimum distortion at all levels.

CABINET CONSTRUCTION

Built from 18mm MDF with a black vinyl veneer, the cabinets are braced with Krix proprietary "X bracing". This technique braces all the panels of the box in an asymmetrical way and also provides appropriate baffling to virtually eliminate standing waves in the enclosure and reduce panel vibrations.

CONCEALED SPEAKER TERMINALS

MX-5 and MX-10 systems feature terminals on the back of the cabinets - simply connect the wires and slide the modules into the allotted space. MX-20, MX-30 and MX-40 systems feature a special recess at the front of each enclosure, where the cables are connected and then concealed via a removable plug. This ensures that no reflections from the terminals or bridging bars are seen through the projector screen.

EASY TO INSTALL

The Series MX systems are designed to be installed behind an acoustically transparent screen, just like the speakers in a commercial cinema. They create a wall of sound directly from the picture, so everyone gets the full movie experience and impact.

The five speaker modules (left, center, right and two subwoofers) in each system are all the same height and depth, making the design of the room and installation of the speaker system much simpler.





AWARDS

SOUND+IMAGE AWARDS 2017, 2018 & 2020 – CUSTOM INSTALLATION PRODUCT OF THE YEAR

Dedicated home cinemas are becoming the ultimate escape to unwind from a busy week, or to enjoy the latest action blockbuster with friends and family. The Series MX systems impressed the judges over multiple years, with their ability to bring dynamic movie soundtracks to life – all while hidden from view.

SOUND+IMAGE ULTIMATE 30 AWARDS – WINNERS FROM 30 YEARS OF AUDIO AND AV

The Ultimate 30 Awards recognised products that set a precedent for ingenuity and performance over the last 30 years. We don't need to go that far back though – Series MX was given the 2017 award for its implementation of the Krix Infinite Baffle Wall and "groundbreaking" performance.

WINNER BEST CINEMA / AV PRODUCT OF SHOW – STERONET INTERNATIONAL HI-FI SHOW

The second International HiFi Show in Melbourne played host to a vast range of speakers, processors, amplifiers and projectors. The MX-30 'Wall of Sound' caught many by surprise, offering the exhilarating feeling of being right in the action, whether it be a music concert or high stakes action scene.

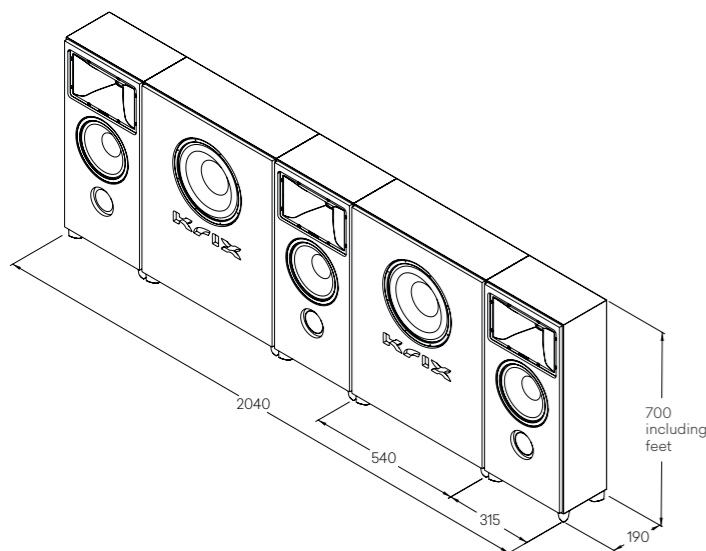
APPLAUSE AWARD 2019 - MX-5 MODULAR CINEMA SPEAKERS – STERONET

"You've probably experienced home cinema before, but have you experienced real cinema at home?". In this world-first review, Steronet take a closer look at the MX-5 and grant it the 2019 Applause Award.



MX-5

MODULAR

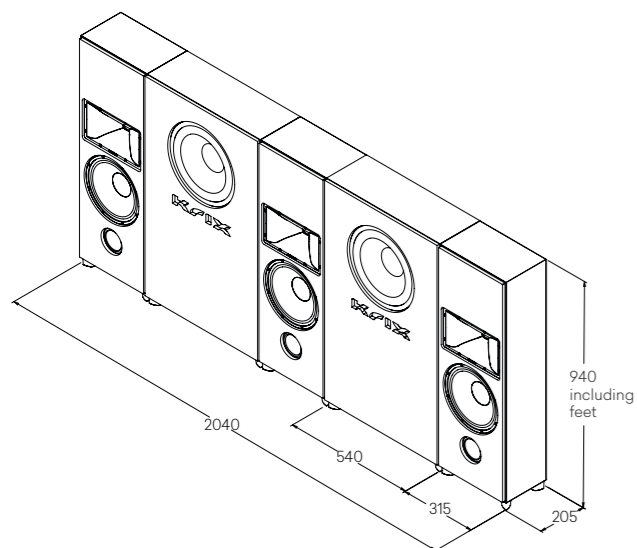


System	MX-5
Recommended room depth - for Performance Level 102 dB	3 - 6m
Minimum screen size 16:9	95" (2103x1183mm)
Minimum screen size 21:9	92" (2148x921mm)
Spacer width available	315mm

Elements	MX-5LCR	MX-5SUB
Frequency Range (Hz)	40-20k	30-200
Power Handling (Watts RMS)	100-300	200-400
Sensitivity (dB/2.83V/1m half space)	92	90
Low Frequency Driver	8" (205mm)	11" (275mm)
High Frequency Driver	1" (26mm) dome 90x40° waveguide	-
Impedance (Ω)	8	4
Height (mm)	665	665
Height including feet (mm)	700	700
Weight (kg)	12	19

MX-10

MODULAR



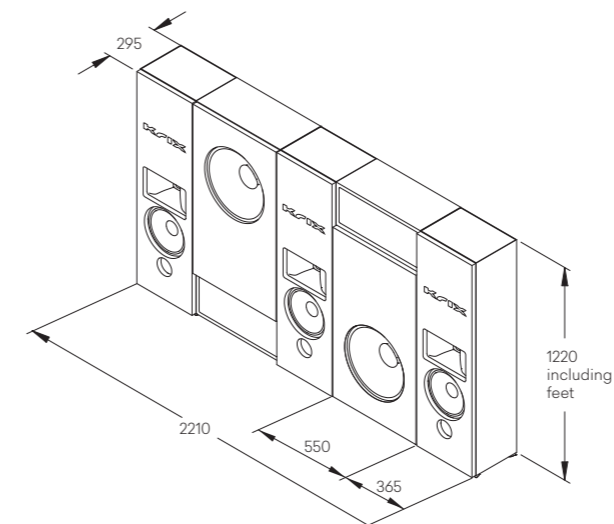
System	MX-10
Recommended room depth - for Performance Level 102dB	3 - 8m
Minimum screen size 16:9	95" (2103x1183mm)
Minimum screen size 21:9	100" (2335x1001mm)
Spacer width available	315mm

Elements	MX-10LCR	MX-10SUB
Frequency Range (Hz)	40-20k	25-200
Power Handling (Watts RMS)	100-500	200-600
Sensitivity (dB/2.83V/1m half space)	97	92
Impedance (Ω)	8	4
Low Frequency Driver	10" (255mm)	12" (305mm)
High Frequency Driver	1" (26mm) dome 90x40° waveguide	-
Height (mm)	905	905
Height including feet (mm)	940	940
Weight (kg)	15	26



MX-20

MODULAR

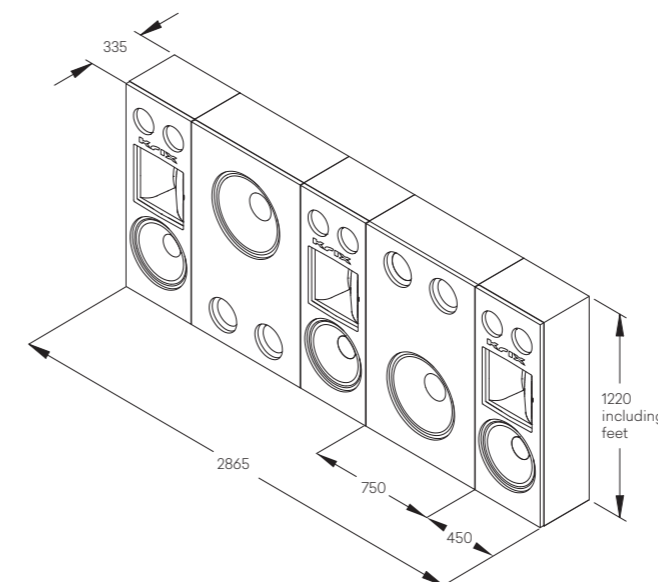


System	MX-20
Recommended room depth - for Reference Level 105dB	4 - 8m
Minimum screen size 16:9	105" (2324x1308mm)
Minimum screen size 21:9	130" (3035x1301mm)
For larger screens, using spacers is recommended	
Spacer widths available	200mm and 325mm

Elements	MX-20LCR	MX-20SUB
Frequency Range (Hz)	40-20k	25-200
Power Handling (Watts RMS)	100-500	200-1400
Sensitivity (dB/2.83V/1m half space)	97	96
Low Frequency Driver	10" (255mm)	15" (380mm)
High Frequency Driver	1" (26mm) dome 90x40° waveguide	-
Impedance (Ω)	8	8
Height (mm)	1200	1200
Height including feet (mm)	1220	1220
Weight (kg)	31	45

MX-30

MODULAR

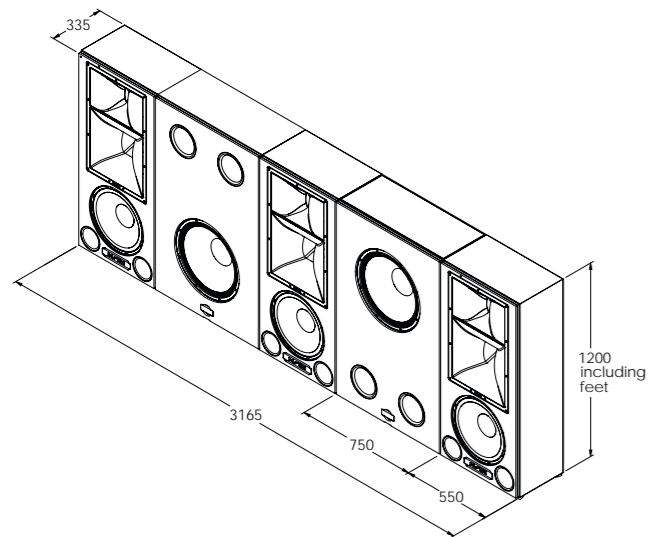


System	MX-30
Recommended room depth - for Reference Level 105dB	5 - 14m
Minimum screen size 16:9	135" (2989x1681mm)
Minimum screen size 21:9	130" (3035x1301mm)
For larger screens, using spacers is recommended	
Spacer widths available	200mm and 325mm

Elements	MX-30LCR	MX-30SUB
Frequency Range (Hz)	38-16k	25-200
Power Handling (Watts RMS)	100-700	200-1400
Sensitivity (dB/2.83V/1m half space)	98	100
Impedance (Ω)	8	8
Low Frequency Driver	15" (380mm)	18" (455mm)
High Frequency Driver	1.4" (35mm) Compression driver 90x40° horn	-
Height (mm)	1200	1200
Height including feet (mm)	1220	1220
Weight (kg)	48	65

MX-40

MODULAR



System	MX-40
Recommended room depth - for Reference Level 105dB	5 - 14m
Minimum screen size 16:9	145" (3210x1806mm)
Minimum screen size 21:9	140" (3268x1401mm)
For larger screens, using spacers is recommended	
Spacer widths available	200mm and 325mm

MX-40 LCR		
Frequency Range (Hz)	38 - 19k	
Frequency	Low	High
Power Handling (Watts RMS)	100-700	100-400
Sensitivity (dB/2.83V/1m half space)	98	101
Impedance (Ω)	8	8

Crossover Frequency	400Hz Active Crossover Required	
Configuration	3-Way Bi-amp	
Low Frequency Driver	15" (380mm)	
Mid Frequency Drivers	6" (152mm) 90x40° horn	
High Frequency Drivers	1.4" (35mm) Compression driver 90x40° horn	

MX-40 Subwoofer	
Frequency Range (Hz)	25 - 200
Power Handling (Watts RMS)	200 - 1400
Sensitivity (dB/2.83V/1m half space)	100
Impedance (Ω)	8
Configuration	Bass reflex, front firing vents
Low Frequency Driver	18" (455mm)

Elements	MX-40LCR	MX-40SUB
Height (mm)	1200	1200
Height including feet (mm)	1220	1220
Weight (kg)	65	65



COMPLEMENTARY SURROUNDS



PHONIX IN-WALL
IN WALL



SCENIX
IN WALL



MEGAPHONIX IN-WALL
IN WALL



DYNAMIX MK3
ON WALL



PHONIX
ON WALL



PHONIX FLAT
ON WALL



PHONIX 45
ON WALL



ULTRAPHONIX
ON WALL



HYPERPHONIX 45
ON WALL



MEGAPHONIX
ON WALL



MEGAPHONIX FLAT
ON WALL



HEMISPHERIX AS
IN CEILING



HEMISPHERIX A20
IN CEILING



ATMOSPHERIX AS
IN CEILING



ATMOSPHERIX A20
IN CEILING



STRATOSPHERIX AS
IN CEILING

COMPLEMENTARY SUBWOOFERS



CYCLONIX 11
MX-5



CYCLONIX 18
MX-30 & MX-40



CYCLONIX 12
MX-10



VOLCANIX SLIM
MX-10



CYCLONIX 15
MX-20



SPEAKER PERFORMANCE

Reference Level 105dB

'Reference Level' is the calibrated volume of sound reproduction utilised in commercial and high end home cinemas. It is the volume level that directors intend to deliver the full dynamic range of movie dialogue, music and effects with 105dB peaks. From quiet whispers to huge explosions - the viewer can experience lifelike transients at the height of realism.

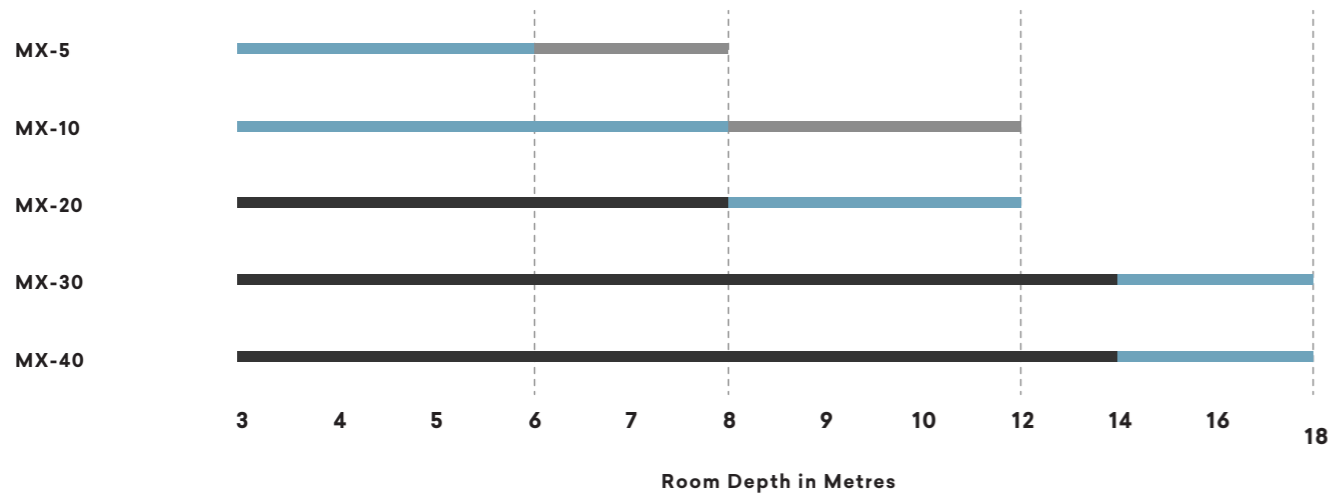
Performance Level 102dB

The 'Performance Level' volume of audio playback with 102dB peaks is still very close to the reference playback level of legacy commercial cinema formats. This level maintains almost all of the dynamic range of movie soundtracks and delivers an incredibly immersive experience from the most intricate sounds to the most explosive.

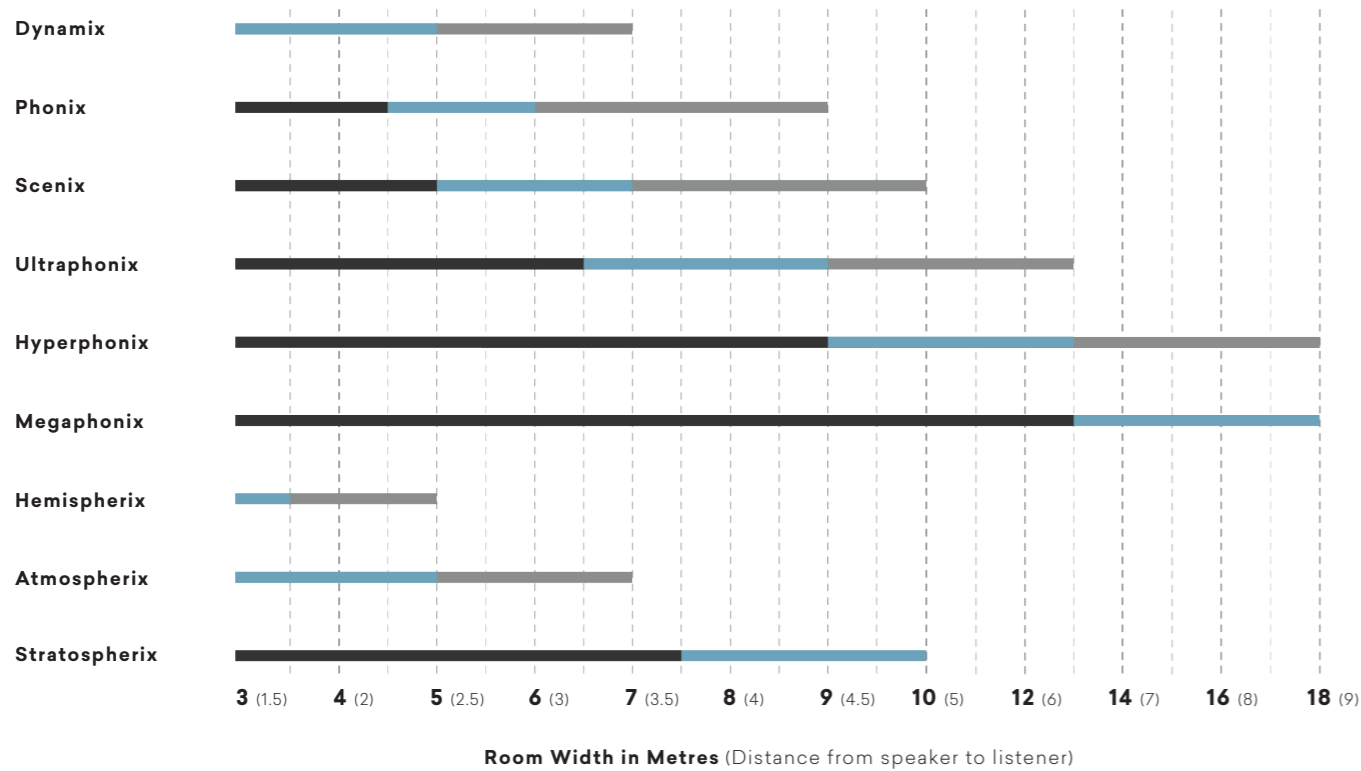
High Level 99dB

While reference level is the epitome of movie reproduction, not every home cinema owner may need, or want, to reach this level. The 'High Level' volume of audio playback reaches peaks of 99dB and should not be underestimated. Clean, powerful and lifelike dialogue and effects are more than achievable at this level.

MX Front Speaker Performance



Surround Speaker Performance



KRUX
EXPERIENCE SOUND