

The Theatrix are serious main front speakers for a truly serious dedicated home cinema experience. It is a 3 way, bi-amped screen loudspeaker suitable for medium to large size rooms. The addition of a dedicated midrange section overcomes the demands placed on the high frequency component, enhancing performance.

By splitting the signal into three dedicated sections, the loudspeaker produces superior vocal intelligibility in the critical 1kHz – 3kHz speech region. It's not often that you find smooth response, acoustic power, and dynamic range in one model of speaker, but with the Theatrix you can have it all.

The Theatrix features a 380mm high stiffness paper cone driver with a 77mm voice coil for increased linear excursion, and a powerful, vented magnet assembly designed for low distortion. Its specially engineered bass driver offers superb bass performance, high peak program power handling and high efficiency – capable of very high sound pressure levels.

The dedicated midrange is delivered by a Krix designed 90 by 40 degree constant directivity horn with a 77mm throat, driven by a 165mm curvilinear paper cone driver with large voice coil and neodymium magnet.

For high frequencies, the Theatrix features another of Krix's patented design, a 90 by 40 horns. It is driven by a compression driver with a 25mm throat, 32mm edge-wound aluminium voice coil and Nomex former. The constant directivity means far less sound is reflected off of side walls and ceilings, ensuring sound energy is focused directly at the listening position for better clarity.

The horn assemblies are mounted to the bass cabinet with a solid mounting bracket which offers both vertical and horizontal tilt. The electronic filter network for the horn section is housed in a separate, well-ventilated enclosure, mounted at the rear of the midrange horn. A separate electronic crossover network is required between the bass driver and horn elements.

For the ultimate cinema experience at home, play it through Krix.

FEATURES

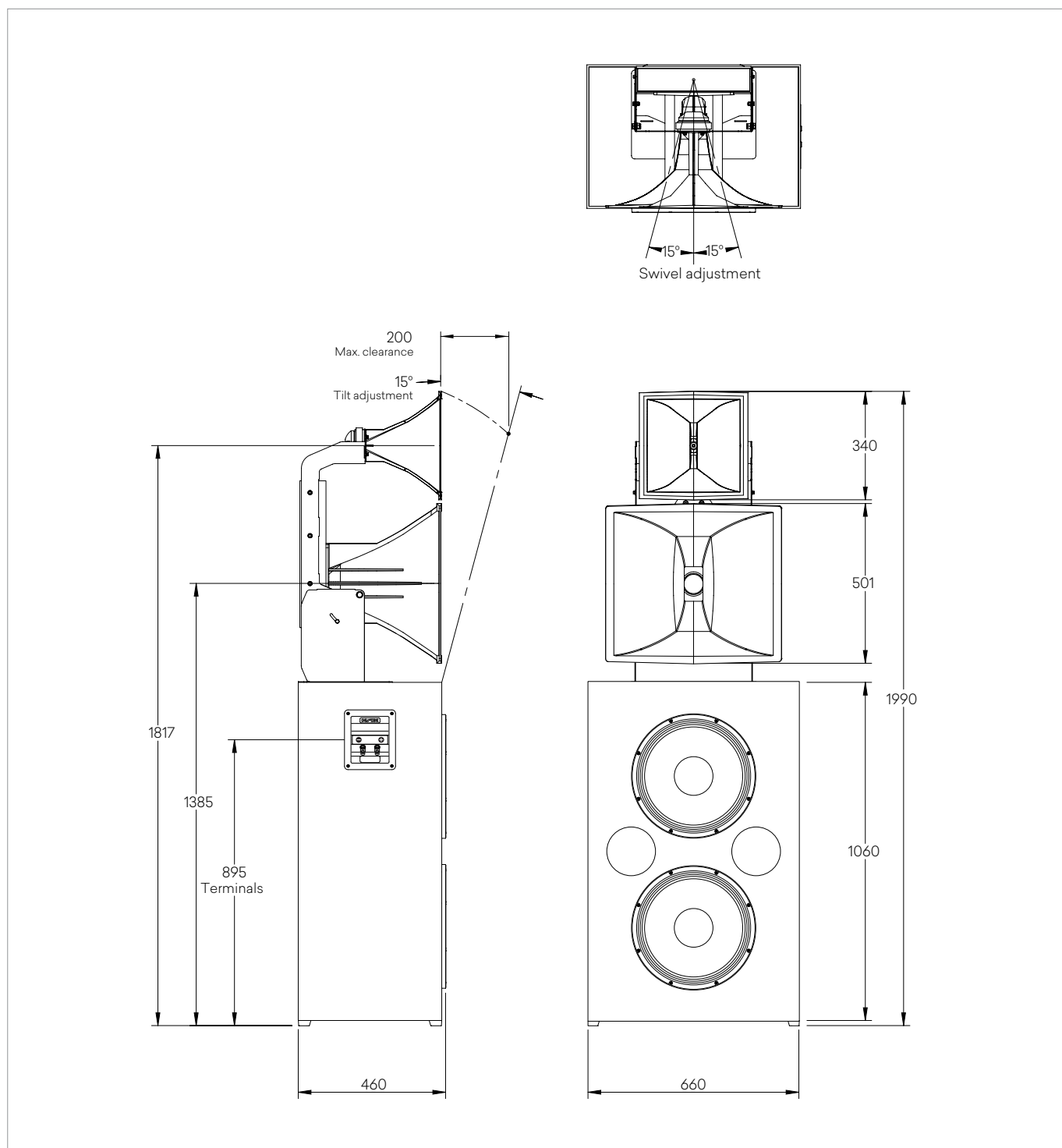
- High acoustic power
- Superior vocal intelligibility
- Massive dynamic range



	Cinematix
Frequency Range	38 Hz - 16 kHz (In room response)
Power Handling	1000 W RMS recommended maximum amplifier power
Sensitivity	101 dB (2.83 V/ 1m)
Impedance	Nominally 4 Ω
Configuration	3-way
Crossover point	1600Hz passive MID/HF – contact Krix directly for bi-amped active filter parameters
Low Frequency Driver	Dual 380mm (15") high stiffness paper cone drivers with 77mm (3") voice coil of optimal length for increased linear excursion, wound on high temperature apical former and powerful vented magnet assembly designed for low distortion
Mid Frequency Driver	A Krix patented designed 90° x 40° horn driven by a 3" throat driven by a single 165mm (6½") curvilinear paper cone driver. A 45mm (1¾") edge-wound aluminium voice coil, with vented Neodymium magnet assembly and heat dissipation to minimise power compression at high sound output levels
High Frequency Driver	A Krix patented designed 90° x 40° horn driven by a compression driver with a 1" throat 1¾" edge-wound aluminium voice coil and Nomex former
Input Terminals	Krix proprietary, high current binding posts featuring an 8mm hole to accept large diameter cable. High visibility polarity indicators
Dimensions	1990mm high x 660mm wide x 460mm deep
Net weight	83 kg

krix.com

DETAILED DIMENSIONS



krix.com

Cinematix Specification Sheet-004